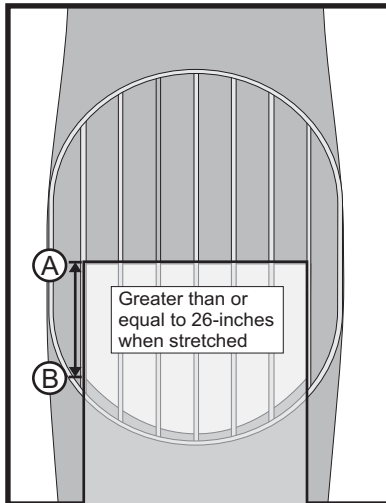


Guide for Checking 71-inch TED Opening

Step 1

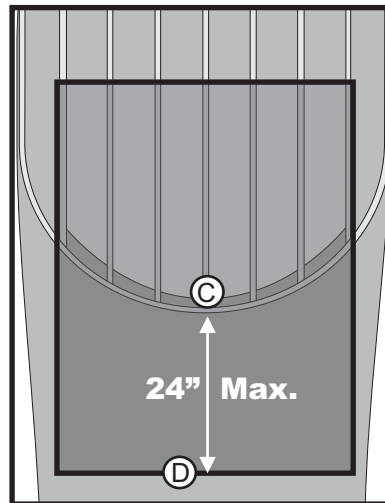


Step 1

Measure the distance from the TED frame forward along the side of the escape hole cut to the leading edge of the escape hole cut **A to B**.

This measurement must be greater than or equal to **26-inches** when stretched.

Step 2

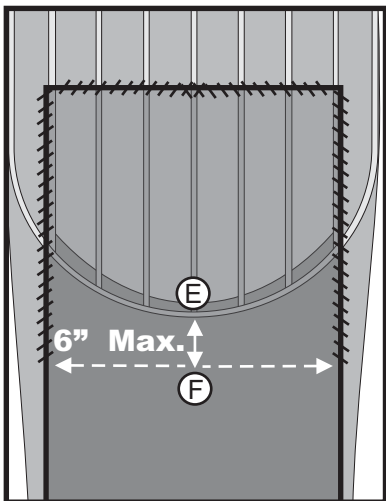


Step 2

Measure the distance from the posterior edge of the TED frame to the trailing edge of the flap **C to D**.

This measurement must be taken from the center of the frame and must not exceed **24-inches** as the TED is hanging (**not stretched**).

Step 3

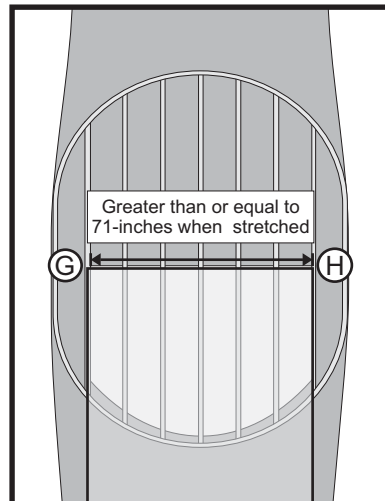


Step 3

Measure the distance the flap is attached beyond the posterior edge of the TED frame **E to F**.

This measurement must be taken from the center of the frame and must not exceed **6-inches** when the TED is hanging.

Step 4



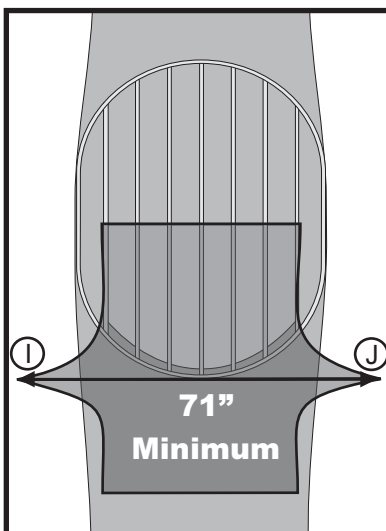
Step 4

Measure the leading edge of the escape hole cut **G to H**.

This measurement must be greater than or equal to **71-inches** when stretched.

Note: This measurement must also be obtained with flap attached.

Step 5



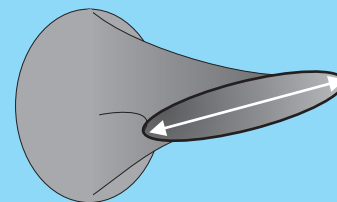
Step 5

Measure the escape opening (inside the flap) **I to J**.

This measurement must be greater than or equal to **71-inches** when stretched.

Take this measurement in a horizontal straight line at the aft edge of the exit hole.

ACCELERATOR FUNNELS



If an optional accelerator funnel is used, the funnel must have a minimum straight-line stretched measurement as follows:

All offshore waters and the inshore waters of Georgia or South Carolina = 71"

All inshore waters except GA & SC = 44"